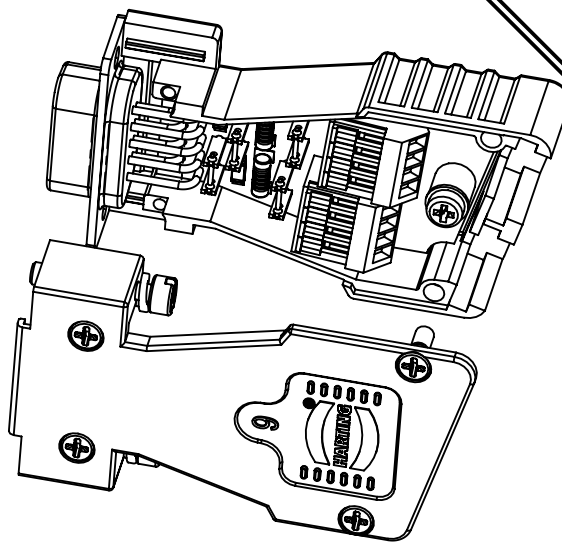
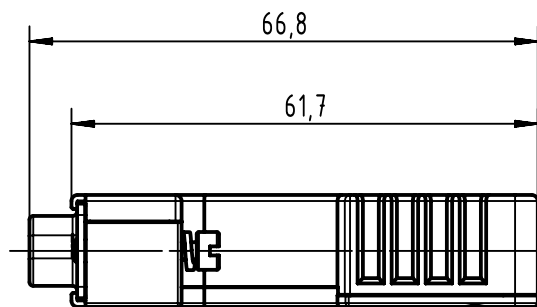
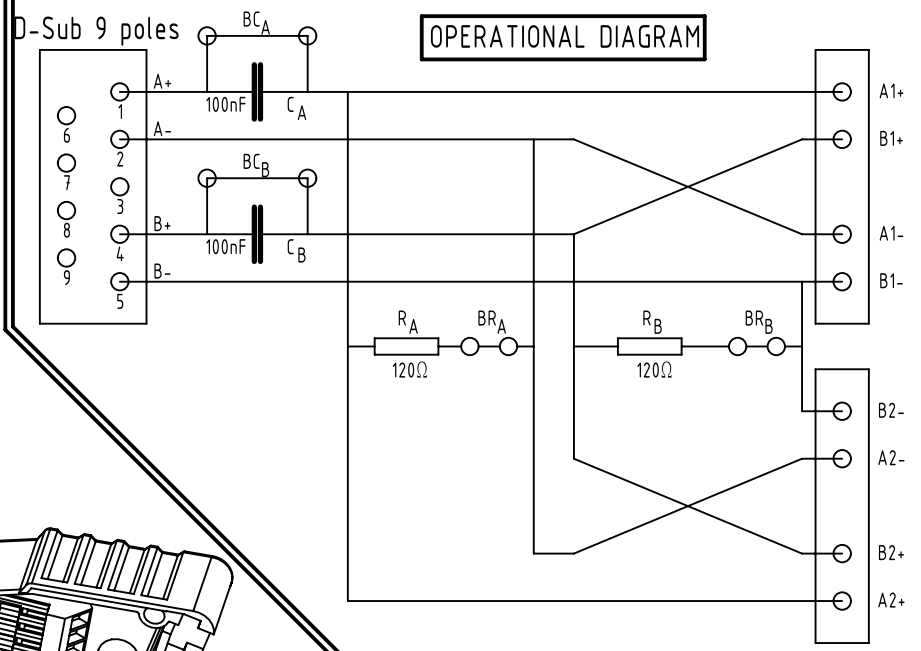
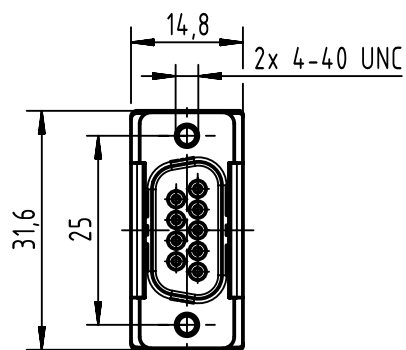
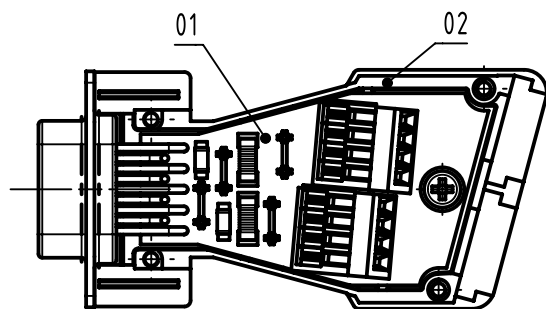


1 2 3 4 5 6

view without cover



in set inclusive :

Number	Description
2	Crimp flange 6,0-7,0
2	Crimp ferrule 9,5-10,5
1	Blanking piece 9-37
1	label line A, B

	All rights reserved	Created by 402664	Inspected by ZENGD	Standardisation 302077	Date 2021-05-11	State Final Release	Ref. Sub.
	Department EL PD	Title InduCom9 MVB/WTB Female (Special)			Doc-Key / ECM-Nr. 100075722/UGD/004/C 500000194940		Rev. <b>C</b>
HARTING D-32339 Espelkamp		Type TB	Number 66630096028		Page 1/1		

6663 009 6028	PL2
Part number	Performance level